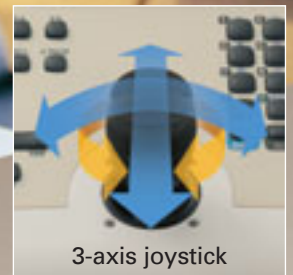


SSP System Controller

VSP-8500

- Control system supporting SSP and multiple protocols
- Direct keys for camera and DVR control
- Telemetry control (pan/tilt/zoom) via 3-axis joystick and direct keys
- 6 language menu on LCD display
(English, German, French, Spanish, Italian, Japanese)



Direct keys for camera operation

Direct keys for DVR operation



VSP-8500

Best solution for small-to-medium system for camera, DVR, and matrix control

Main Features

- **Centralized control of small-to-medium-scale system devices from a single controller**

The VSP-8500 controller enables centralized control of up to 256 units in one system using SANYO's Security Serial Protocol (SSP) and other brand name protocols. The VSP-8500 simplifies the operation of today's increasingly complex small- to medium-scale security systems.

Control system supporting SSP devices and multiple protocols

Camera connection:

SANYO (SSP, HSSP), PELCO-D, SENSORMATIC, A.D., VCL, ERNITEC, VIDEOTEC (MACRO), M. MERCER (Max. 2 protocols within 1 system)

DVR/Matrix switcher connection:

DVR: SANYO (SSP)

Matrix switcher:

VIDEOTEC (SM328S: 32 inputs & 8 outputs)

- **Telemetry control using 3-axis joystick (Pan/Tilt/Zoom) and direct keys for camera and DVR control**

To control digital video recorders and cameras the VSP-8500 controller is equipped with a 3-axis joystick. It also features camera operation buttons independently positioned on the left, and channel selection and DVR operation buttons on the right. The joystick and direct keys guarantee easy operation from a remote location.

- **3 password levels**

Power on password:	At power on
Set-up password:	For entering the controller menu
Key lock password:	When key locking

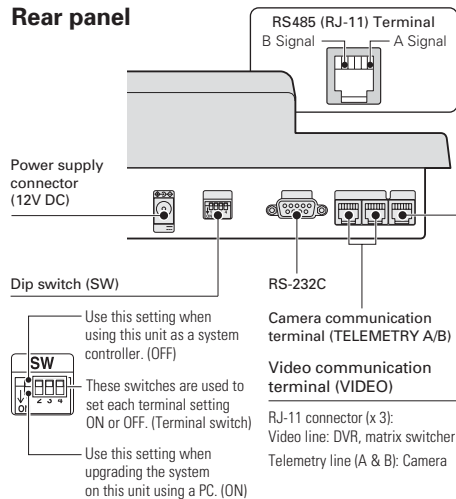
- **4-line backlit menu display**



- **Realize enhanced effectiveness in your security environment**

The SSP control system forms a state-of-the-art security environment that utilizes existing surveillance cameras and recording devices, all controlled via the multi-functional VSP-8500. A system linking cameras, and other elements to enable user-friendly, fingertip control of up to 256 devices from a single controller. See SSP Compatible Devices below for information on the SPP product lineup.

Rear panel



Specifications

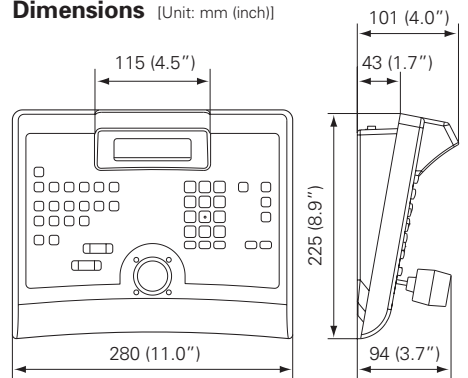
Model No.	VSP-8500
Communication method	RS-485, RS232C (PC)
Operating interface	42 buttons, 3-axis joystick
LCD display	4-line backlit display
Communication speed	2400, 4800, 9600, 19200 bps
Control terminals	RJ-11 terminals: VIDEO x 1, TELEMETRY x 2
No. of connectable devices	Total: 256 units in one system <ul style="list-style-type: none"> • Controllers: Max. 5 units • Hard disk digital recorders: Max. 98 units total • PTZ camera, CCD camera: TELEMETRY A max. 127 units TELEMETRY B max. 127 units • Matrix switcher (Videotec SM328S): Max. 1 unit
Menu languages	English, German, French, Spanish, Italian, Japanese
Operating conditions	Temperature: 5°C to 40°C Humidity: 80% or less
Power source (AC adapter)	Input voltage: 100 – 240 V AC 50/60Hz Output voltage: 12 V DC
Dimensions	280 x 101 x 225 mm [11.0" x 4.0" x 8.9"] (w/ 3-axis proportional joystick)
Weight	900 g [1.98 lbs.]
Accessories	AC adapter/power cord x 3 <ul style="list-style-type: none"> • North America: 1 • Europe: 1 • Great Britain: 1 Modular cable x 6 (Cross type: 150 cm) Communication conversion connector (screw x 2, double-faced tape x 1) x 6

NOTE:
Appearance and specifications are subject to change without notice.

SSP Compatible Devices

Cameras	Recorders	Matrix Switcher
1/4" Color CCD High-resolution AF Zoom Camera VCC-ZM300PA 1/4" Color CCD High-resolution AF Zoom Camera VCC-ZM400P DAY NIGHT 1/4" Color CCD High-resolution Weatherproof AF Zoom Camera VCC-XZ400P DAY NIGHT 1/4" Color CCD High-resolution AF Speed Dome Camera VCC-9500P VCC-9600P DAY NIGHT VCC-9700P VCC-9800P DAY NIGHT	PAN-FOCUS 1/4" Color CCD High-resolution Indoor mini Dome Camera VCC-P7575PA+VA-50ST 1/4" Color CCD High-resolution Vandal-resistant Dome Camera VDC-DP7585P+VA-50ST 1/4" Color CCD High-resolution Weatherproof Zoom Camera VCC-XZ200P+VA-20ST 1/4" Color CCD High-resolution PT Indoor mini Dome Camera VCC-P9575P 1/4" Color CCD High-resolution Vandal-resistant PT Dome Camera VDC-DP9585P	DSR-M810PA DSR-M814PA DSR-300P DSR-3706PA DSR-3709PA DSR-3716PA DSR-5009PA DSR-5016PA DSR-5709P DSR-5716P DSR-HB8000
		SM328S (Videotec)

Dimensions [Unit: mm (inch)]



Caution: Please consult the instruction manual to ensure safe and proper operation of the product.



DI Company of SANYO Electric Co., Ltd. obtained Quality Management System ISO 9001 and Environmental Management System ISO 14001 certifications.

Distributed by:



SANYO Electric Co., Ltd.
DI Company
<http://www.sanyosecurity.com>
©2007 SANYO Printed in Japan 2007.5 MA
SMS147